



CL500/510 Specification Sheet



Key Benefits

- Home-like comfort
- Low water consumption: 0.5 litre per flush
- Airtight seal
- Pedal operated flush

For CL510

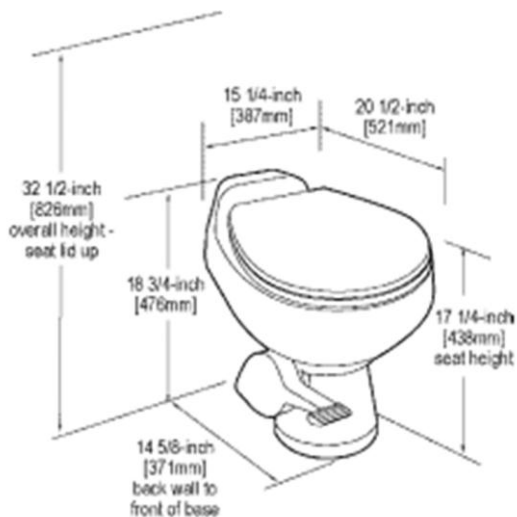
- Powerful vacuum flush
- Pre-wired and assembled vacuum source
- 12 V DC or 24 V DC operation

CL500

Water Supply	ID	0.5 in. NPT
	Flow rate	7.6 lpm minimum at toilet
Discharge	Hose/PVC pipe ID	76 mm/3 inch
	Max. angle	45 degrees

CL510

Water Supply	ID	0.5 in. NPT
	Flow rate	7.6 lpm minimum at toilet
Electrical	Toilet amp draw	2 amp @ 12 V DC 1 amp @ 24 V DC
	Toilet circuit breaker/fuse	5 amp @12 or 24 V DC
	Vacuum source draw	6 amp @ 12 V DC 3 amp @ 24 V DC
	Vacuum source circuit breaker/fuse	10 amp @ 12 V DC 5 amp @ 24 V DC
Discharge	Hose/PVC pipe ID	38 mm
	Max. horizontal run	15 m to vacuum source
		6 m to composting tank
	Max. vertical run	1.8 m to vacuum source
1.8 m to composting tank		



Vacuum Source for CL510 (P700)

